

Multi-door Camera User Manual

Model:

- KW-138AM
- KW-138AMC
- KW-138BM
- KW-138BMC



CONTENTS

PRODUCT INTRODUCTION	3
FEATURES AND PARTS	4
KW-138AM/AMC FEATURES AND PARTS	4
KW-138BM/BMC FEATURES AND PARTS	5
SPECIFICATIONS AND ACCESSORIES	6
DIMENSION/ACCESSORIES OF KW-138AM/AMC	6
DIMENSION	6
ACCESSORIES	6
DIMENSION/ACCESSORIES OF KW-138BM/BMC	7
DIMENSION	7
ACCESSORIES	7
INSTALLATION	8
FLUSH MOUNT TYPE SKETCH MAP	8
INSTALLATION RANGE	9
INSTALLATION ATTENTION	10
CONNECTION DIAGRAMS	11
KW-138AM/AMC CONNECTION DIAGRAM	11
KW-138BM/BMC CONNECTION DIAGRAM	12
SYSTEM WIRING	13
KW-138AM/AMC SYSTEM WIRING	13
KW-138BM/BMC SYSTEM WIRING	14
SPECIFICATIONS	15

PRODUCT INTRODUCTION

Thank you for purchasing our products of building intercom system series. Please read the instructions carefully and follow the directions before install the products. Any problem regarding to the product, please query your supplier.

GENERAL FEATURES:

- Luxury and modern alloy of aluminum and magnesium with ruggedization, with weather-proof function.
- Adjustable camera lens (B&W/Color).
- The indication light of key stroke with assistant illumination function convenience for operation in night.
- Suitable for multi-user.
- Super-thin size easy to flush mounted installation.
- Multi-layer mode.



CAUTION: To avoid the risk of electric shock, please don't remove cover or back. Please ask professional person if maintenance needed.



Alert the users to the presence of "dangerous voltage" which will cause electric shock to persons.

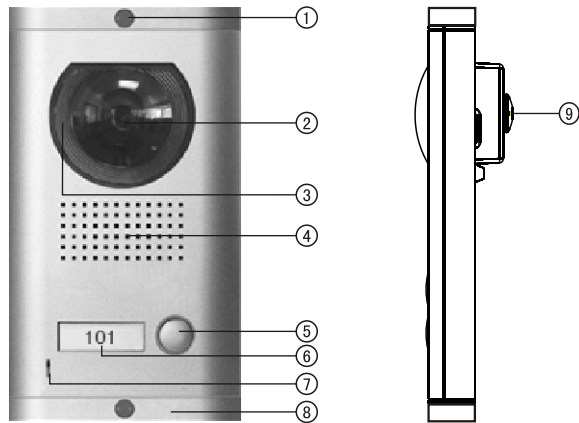


Remind users that important operation and maintenance guides are included in the attached user's manual.

* KENWEI reserves the right to change or modify design, features, functions and specifications without any prior notice for the improvement and promotion of products quality.

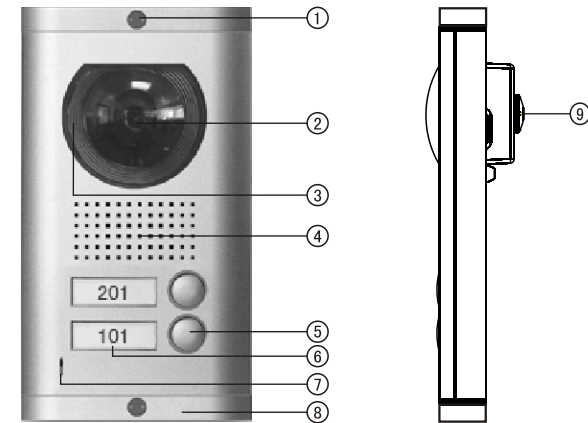
FEATURES AND PARTS

KW-138AM/AMC FEATURES AND PARTS



1. Burglarproof screw
2. CCD camera (B&W/COLOR)
3. White light/IR for night illumination
4. Speaker
5. Calling Button
6. Room No. & night light
7. Microphone
8. Closing heads
9. Lens Adjustable button

KW-138BM/BMC FEATURES AND PARTS



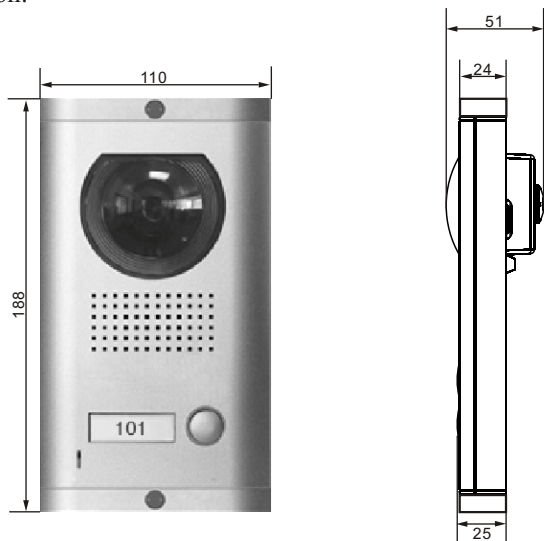
1. Burglarproof screw
2. CCD camera (B&W/COLOR)
3. White light/IR for night illumination
4. Speaker
5. Calling Button
6. Room No. & night light
7. Microphone
8. Closing heads
9. Lens Adjustable button

SPECIFICATIONS AND ACCESSORIES

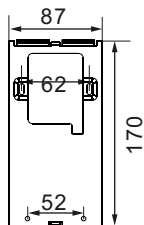
DIMENSION OF KW-138AM/AMC

Dimension:

(Unit: mm)



Accessories:



Rear Cover



"L" Wrench



Burglarproof screw

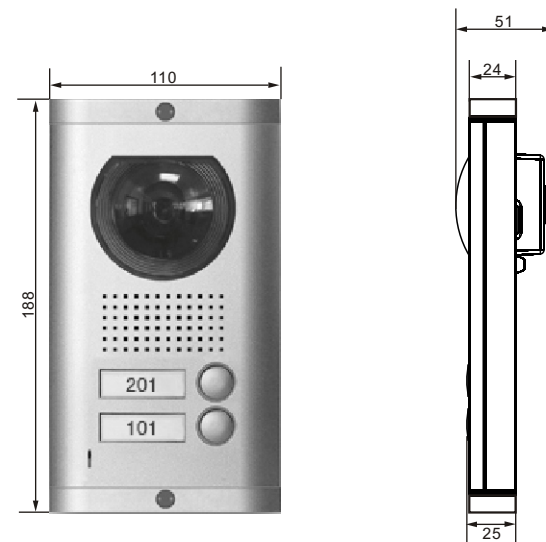


Dilatant Plug

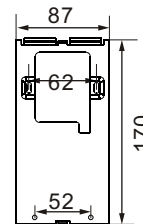
DIMENSION OF KW-138BM/BMC

Dimension:

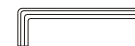
(Unit: mm)



Accessories:



Rear Cover



"L" Wrench



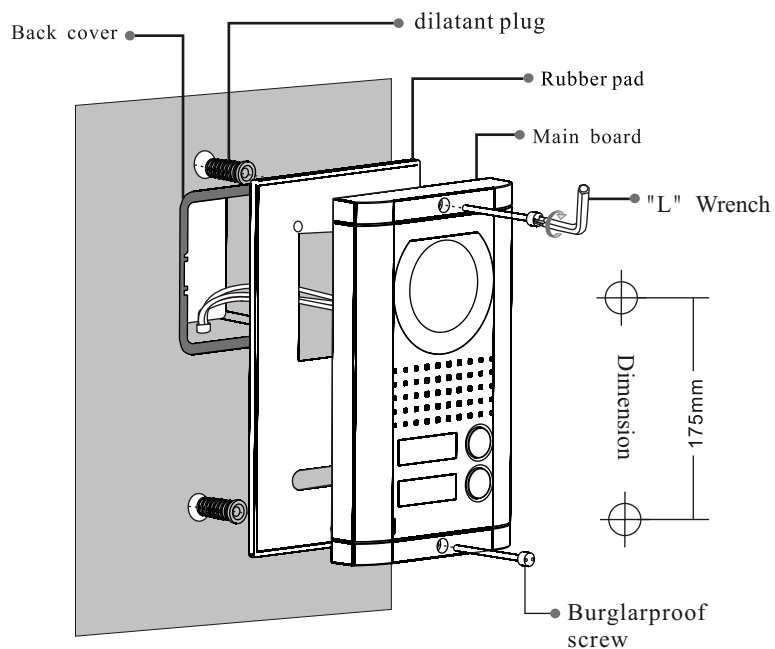
Burglarproof screw



Dilatant Plug

INSTALLATION

FLUSH MOUNT TYPE SKETCH MAP

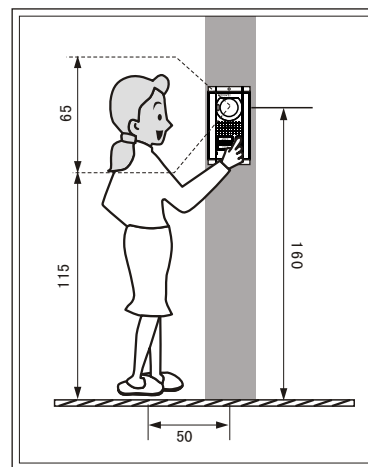


Installation step:

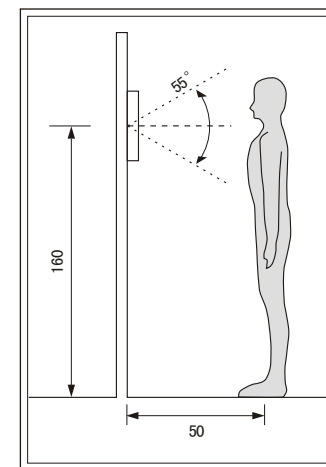
1. At the selected mounting location, (the dimension as the picture show), fixed 2 dilatant plug.
2. Connect the wire correctly.
3. Use the "L" wrench to tight the unit with screws. The installation has done.

INSTALLATION RANGE

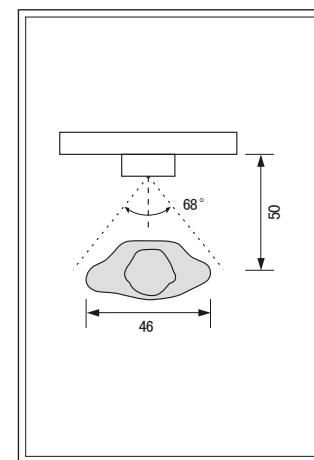
(Unit: cm)



Installation range



Camera angles (Vertical)



Camera angles (Horizontal)

INSTALLATION ATTENTION

1. Do not expose the unit to sunshine or rain:

Even if you do not use it, don't expose it to sunshine or rain.

2. Do not expose to intense light:

Spotlight may cause stain or striation in the screen.

3. Do not disassemble the unit by yourself:

Improper disassembly may damage the unit or cause electric shock.

4. Do not splash water on the unit:

Install the unit in dry place. In case that the unit gets wet, turn off the unit and contact your dealer.

5. Check the ambient temperature and humidity

Avoid using the unit where the temperature is hotter or colder than specified, otherwise the internal parts may get affected. Special care is required to use the unit at high temperature and humidity.

6. In case of trouble:

If any trouble occurs while you are using the unit, turn off the power and contact your dealer to avoid worse problem or unpredictable accident.

7. About operation:

Keep the unit away from magnetic equipments such as microwave oven or big speaker. If the unit will not be used for a long time, please switch it off.

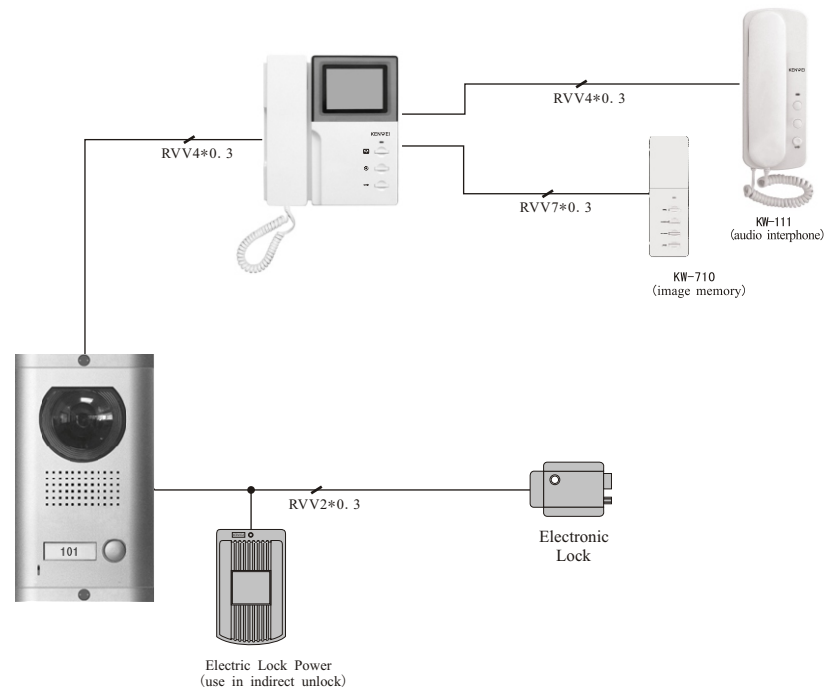
8. About clean:

Use soft cloth to clean the unit. Do not use any impregnant, such as alcohol, benzene. If you have any problem, please contact your dealer.

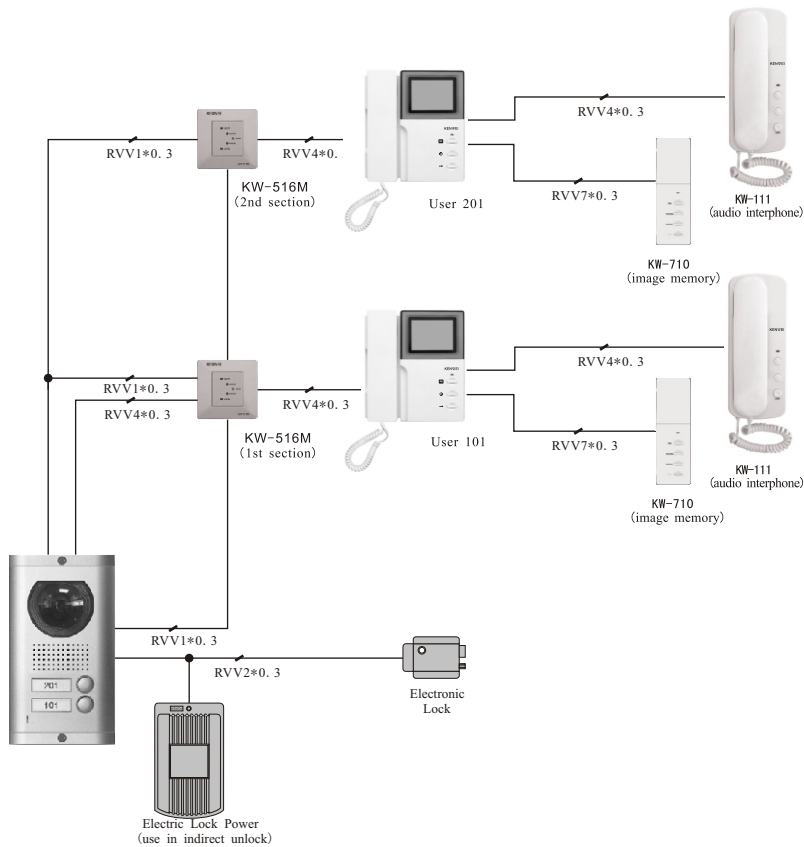
* Remark: When you choose the place to install the unit, please pay attention to:
Keep sufficient space for ventilation and easy communication. Keep sufficient space to adjust while installing. Don't put hot resource under the unit.

CONNECTION DIAGRAMS

KW-138AM/AMC CONNECTION DIAGRAM

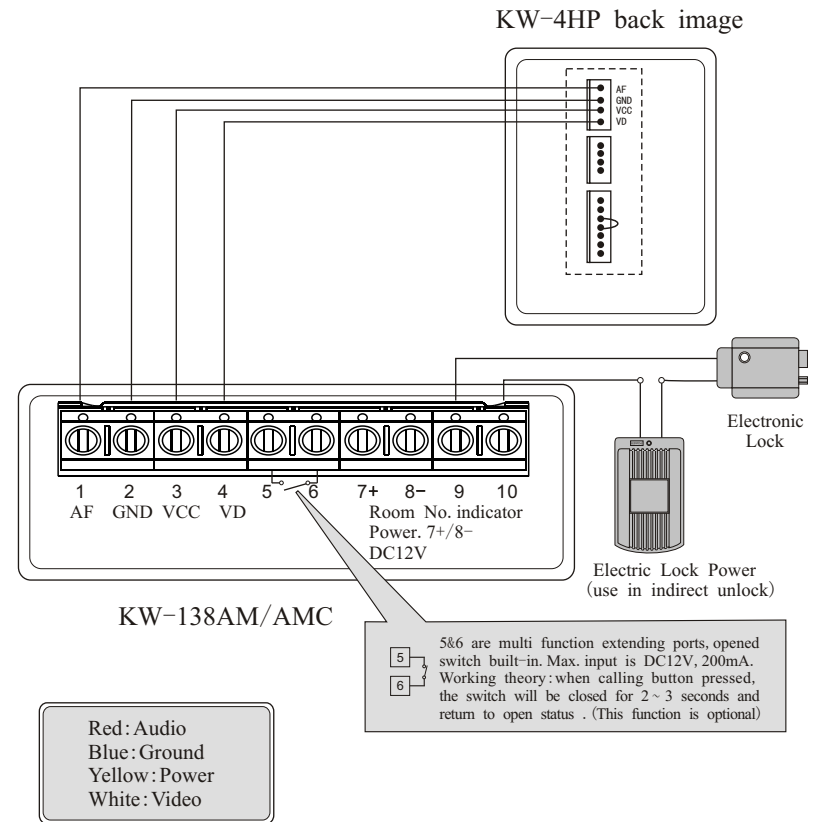


KW-138BM/BMC CONNECTION DIAGRAM

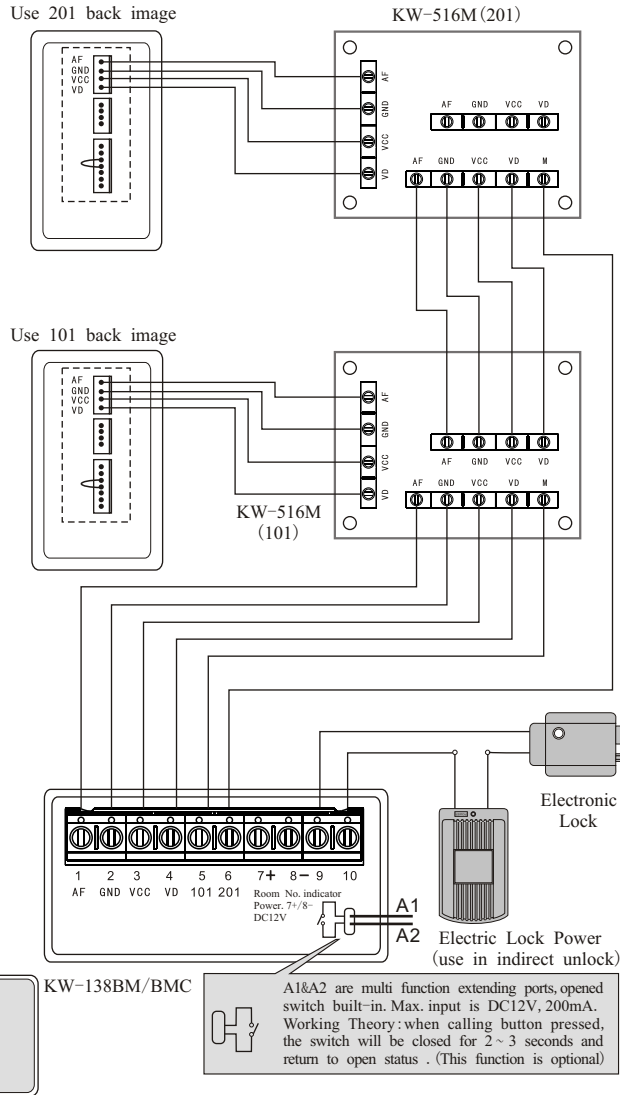


SYSTEM WIRING

KW-138AM/AMC SYSTEM WIRING



KW-138BM/BMC SYSTEM WIRING



SPECIFICATIONS

ITEM	MODEL	KW-138AM	KW-138AMC	KW-138BM	KW-138BMC
Image Device		1/3" CCD B&W	1/4" CCD COLOR	1/3" CCD B&W	1/4" CCD COLOR
Power Source		DC 12V 180mA			
Minimum Illumination		0.01LUX (F1.2, W/OIR)	0.8LUX (F1.2, W/OIR)	0.01LUX (F1.2, W/OIR)	0.8LUX (F1.2, W/OIR)
Image Angular		Horizontal : 68° Vertical : 55°			
Installation System		4 wires		4+1mode (one more user with one more wire)	
Scanning Frequency		Horizontal: 15.625Khz Vertical: 50Hz			
Audio Communication System		Handsfree			
Working Temperature		-40°C ~ +70°C			
Weight		0.85kgs			
Indoor Unit		Any indoor unit from our company			